

6 inches 12W LED around down light

Order Number:92120005(3000K)/ 92140002(4000K)/92160002(6000K)

1. Feature

- Perfect light quality design, system efficacy > 80lm/W (6000K), can replace halogen or HID lamp.
- Very even light output, no-glare design.
- Universal power input range of 100 - 240 VAC, allowing consistent installation in any location around the world.
- Very nice mechanical design, high quality spinning light body.
- High quality surface treatment with mat white for cover.
- Environmental friendly. RoHs Compliant
- The color temperature follows ANSI C78.337 Standard.

2. Application

- The commercial application place where need high lux level but soft can clear light quality, such as big shopping mall, hospital, office, factory, school, airport, etc.
- High quality lighting in residential application place.



6 inches 12W LED around down light

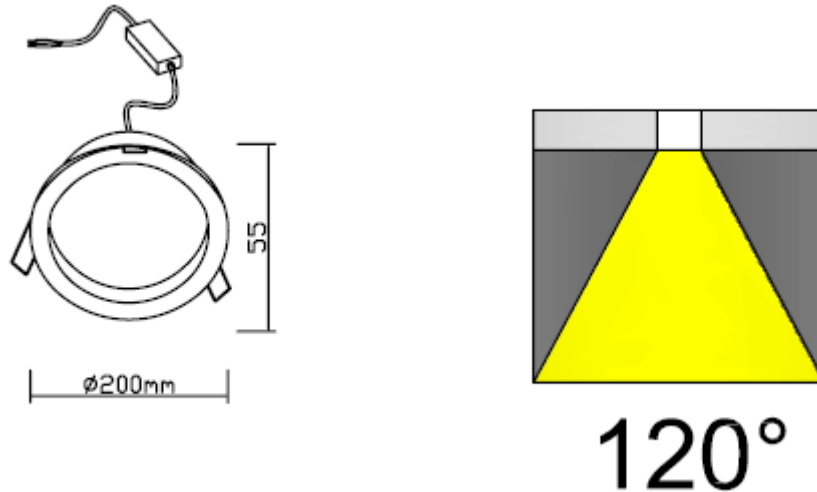
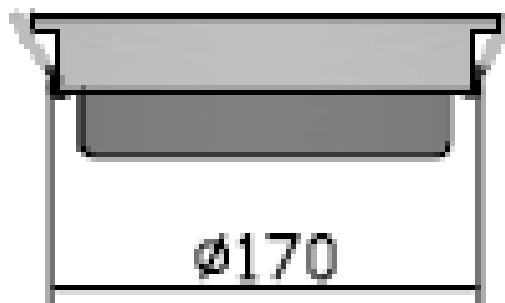
Order Number:92120005(3000K)/ 92140002(4000K)/92160002(6000K)

3. Specification

	Item	Specification
Mechanical	Dimension	φ 200mm*H55mm
	Cutting Hole	φ 170mm
	Weight	380g
	Materials and Finishing	1. Spining Aluminum housing 2. Milky white paint cover
Electrical	Input Voltage	AC100~240V, 50/60Hz
	Power Consumption	12W
	PFC	>0.9
	Chip Source	3014 Chip
Optical	Color Temperature (ANSI C78.337 Standard)	3000K: 3,045K +/- 175K, 4000K: 3,985K +/- 275K 6000K: 5,000K +/- 355K
	Luminaries efficacy	3000K: 85lm/w ~ 90lm/w 4000K/6000K: 95lm/w ~ 100lm/w
	Color rending	3000K/4000K: Ra 80 typ. 6000K: Ra 70 typ.
	Beam angle	120°
	Lumen maintenance	> 92% @6000hrs
	Expected Lifetime	25,000 hrs (Ta=25°C)
Reliability	Operating Temperature	-20-50°C
	Storage Temperature	-20-50°C
Environment	Operating	Indoor use only
	IP rating	IP40
	Restricted Materials	RoHs compliant
Certification	Safety & EMC	CE approved driver

6 inches 12W LED around down light

Order Number:92120005(3000K)/ 92140002(4000K)/92160002(6000K)

4. Mechanical Drawing**5. Cutting hole.**

6 inches 12W LED around down light

Order Number:92120005(3000K)/ 92140002(4000K)/92160002(6000K)

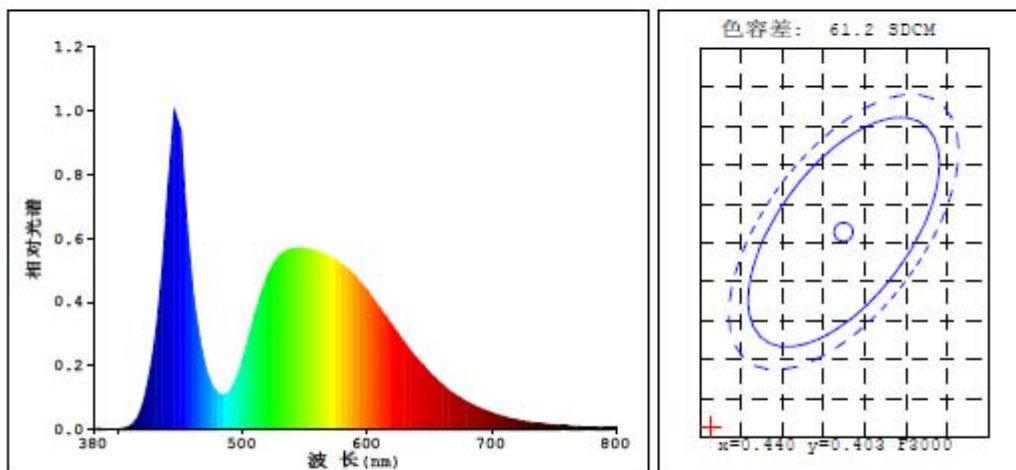
6. Testing Report



光谱分析系统测试报告

第 1 页 共 1 页

电光源测试报告



颜色参数:

色品坐标: $x=0.3212$ $y=0.3455$
 色品坐标: $u'=0.1976$ $v'=0.4781$ ($duv=7.41e-03$)
 相关色温: $Tc=5999K$ 主波长: $\lambda_d=505.4nm$ 色纯度: $Pur=3.7\%$ 质心波长: $545.0nm$
 色比: $R=13.4\%$ $G=83.5\%$ $B=3.1\%$ 峰值波长: $\lambda_p=445.0nm$ 半宽度: $\Delta\lambda_p=22.9nm$
 显色指数: $Ra=70.5$
 R1 =68 R2 =73 R3 =77 R4 =72 R5 =70 R6 =65 R7 =80
 R8 =59 R9 =-34 R10=37 R11=70 R12=41 R13=68 R14=87 R15=62

光度参数:

光通量: 962.13 lm 辐射通量: 2.9189 W 光效: 82.23 lm/W

电参数:

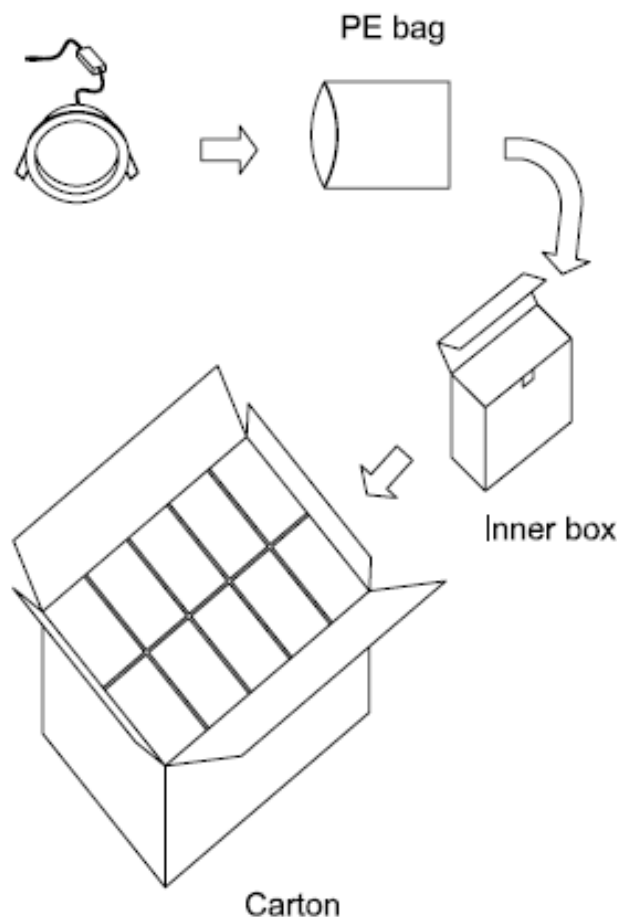
灯具电参数: $U=219.4V$ $I=0.05700A$ $P=11.70W$ $PF=0.9320$

6 inchs 12W LED around down light

Order Number:92120005(3000K)/ 92140002(4000K)/92160002(6000K)

7.Packing information.

Internal packing Qty (pcs)	Whole Carton packing Qty (pcs)	Dimension of internal box L*W*H(mm)	Dimension of Carton L*W*H(mm)	Weight of internal packing (kg)	Weight of Carton packing(kg)
1pcs	20pcs	210*68*215	438*347*426	0.45KG	9.7KG



6 inches 12W LED around down light

Order Number:92120005(3000K)/ 92140002(4000K)/92160002(6000K)

8.Warranty Term

TOPDEPOT warrants all of the LED lighting products it sells, to be free from defects in design, materials and workmanship for a period of 2 years from the date of the original purchase(not including driver).

This warranty applies to the original purchaser. The original purchaser must contact TOPDEPOT in advance of returning products to receive a return authorization. TOPDEPOT reserves the right to replace or to repair products that it deems defective.

When deemed defective by TOPDEPOT, the sole remedy will be the replacement of the lighting product purchased from TOPDEPOT. This warranty does not apply to products that were installed incorrectly in wet environments, corrosive environments, subjected to lightning strikes, power surges, products that were physically damaged, installed incorrectly or any act of god.

TOPDEPOT warrants only the product it sells. The warranty does not include installation, shipping costs to return the product, or any other losses. Incidental or consequential damages are hereby expressly excluded.