

## 4 inch 15W COB ceiling light

Order Number:91210005 (2700K) /91220005(3000K)/91210006(4000K)

**1. Feature**

- Perfect light quality design, system efficacy > 65lm/w (4000K), can replace halogen or HID lamp.
- Flexible optical design provides changeable beam angle to specific applications.
- Universal power input range of 100 – 240 VAC, allowing consistent installation in any location around the world.
- Modular design for flexible change between different lighting fixture.
- High quality surface treatment with mat white for cover.
- Environmental friendly. RoHs Compliant
- The color temperature follows ANSI C78.337 Standard.

**2. Application**

- Spot lighting in high end commercial application place, such as hotel, restaurant, showroom, fashion store and museum, etc.
- Spot lighting in residential application place.



4 inch 15W COB ceiling light

Order Number:91210005 (2700K) /91220005(3000K)/91210006(4000K)

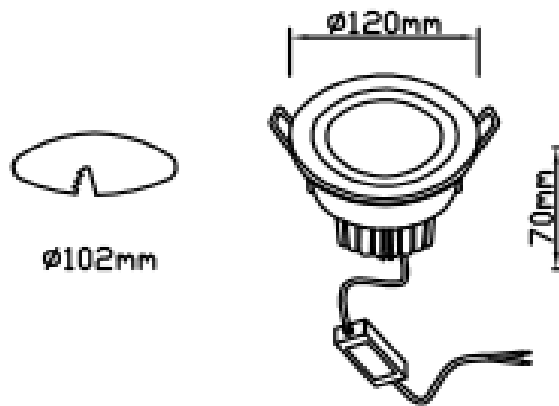
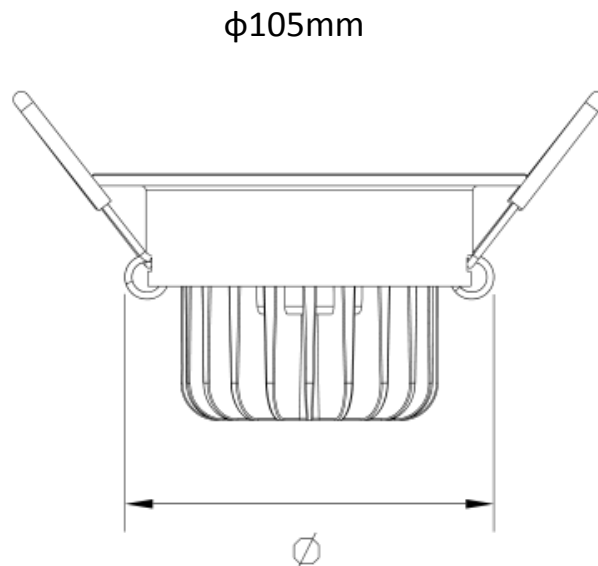
**3. Specification**

	Item	Specification
<b>Mechanical</b>	Dimension	φ 120mm*H75mm
	Cutting Hole	φ 105mm
	Weight	450g
	Materials and Finishing	1. Die-cast, Aluminum housing 2. Milky white paint cover
<b>Electrical</b>	Input Voltage	AC100~240V, 50/60Hz
	Power Consumption	15W
	PFC	>0.9
	Chip Source	Local Brand COB Chip
<b>Optical</b>	Color Temperature (ANSI C78.337 Standard)	3000K: 3,045K +/- 175K, 4000K: 3,985K +/- 275K 5000K: 5,000K +/- 355K
	Luminaries efficacy	3000K: 80lm/w ~ 85lm/w 4000K/5000K: 90lm/w ~ 95lm/w
	Color rending	3000K: Ra 80 typ. 4000K/5000K: Ra 80 typ.
	Beam angle	45°
	Lumen maintenance	> 92% @6000hrs
	Expected Lifetime	25,000 hrs (Ta=25°C)
<b>Reliability</b>	Operating Temperature	-30-60°C
	Storage Temperature	-30-60°C
<b>Environment</b>	Operating	Indoor use only
	IP rating	IP20
	Restricted Materials	RoHs compliant
<b>Certification</b>	Safety & EMC	CE approved driver

Rev0.1

4 inch 15W COB ceiling light

Order Number:91210005 (2700K) /91220005(3000K)/91210006(4000K)

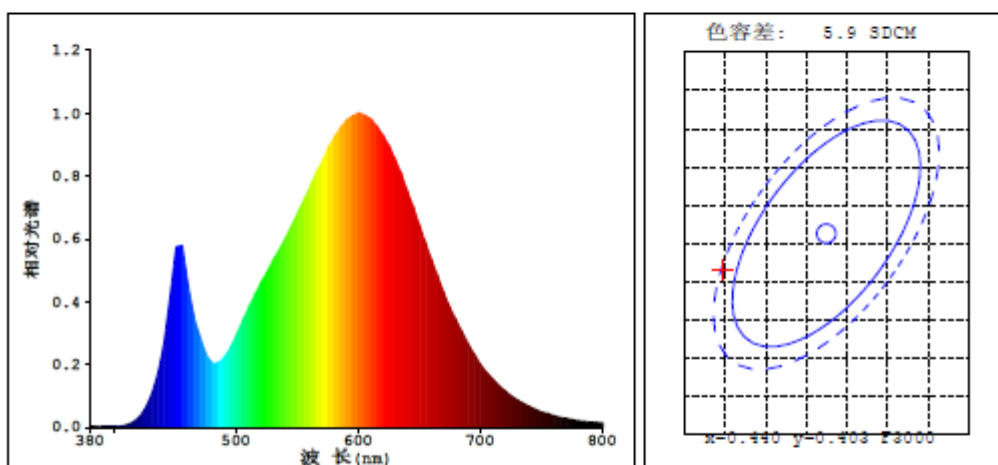
**4. Mechanical Drawing****5. Cutting hole.**

4 inch 15W COB ceiling light

Order Number:91210005 (2700K) /91220005(3000K)/91210006(4000K)

**6. Photometric data**

电光源测试报告



**颜色参数:**

色品坐标:  $x=0.4290$   $y=0.3992$

色品坐标:  $u'=0.2475$   $v'=0.5183$  ( $duv=-8.39e-04$ )

相关色温:  $T_c=3098K$  主波长:  $\lambda_d=582.7nm$  色纯度:  $Pur=48.6\%$  质心波长:  $589.0nm$

色比:  $R=23.7\%$   $G=74.0\%$   $B=2.3\%$  峰值波长:  $\lambda_p=600.0nm$  半宽度:  $\Delta\lambda_p=137.3nm$

显色指数:  $Ra=81.2$

R1 =79    R2 =89    R3 =96    R4 =78    R5 =78    R6 =85    R7 =84  
 R8 =61    R9 =10    R10=74    R11=74    R12=64    R13=81    R14=98    R15=74

**光度参数:**

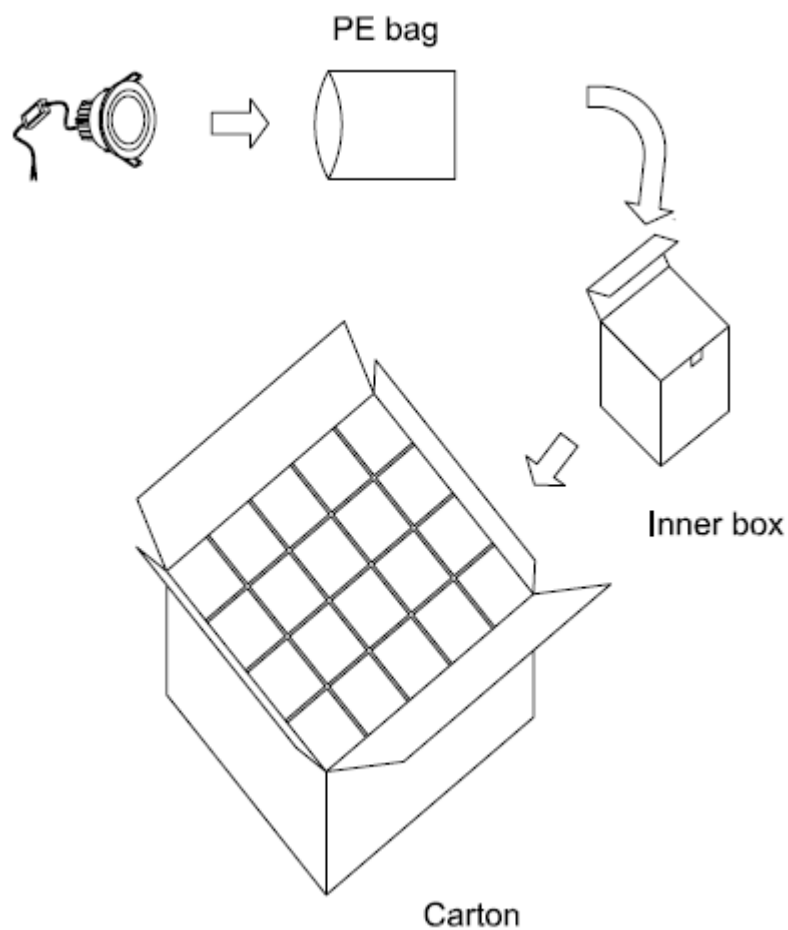
光通量:  $948.6$  lm    辐射通量:  $2.7558$  W    光效:  $63.24$  lm/W

4 inch 15W COB ceiling light

Order Number:91210005 (2700K) /91220005(3000K)/91210006(4000K)

**7. Packaging Information.**

Internal packing Qty (pcs)	Whole Carton packing Qty (pcs)	Dimension of internal box L*W*H(mm)	Dimension of Carton L*W*H(mm)	Weight of internal packing (kg)	Weight of Carton packing(kg)
1pcs	20pcs	120*120*102	615*495*219	0.48KG	11.5KG



4 inch 15W COB ceiling light

Order Number:91210005 (2700K) /91220005(3000K)/91210006(4000K)

## 8. Warranty Term

TOPDEPOT warrants all of the LED lighting products it sells, to be free from defects in design, materials and workmanship for a period of 2 years from the date of the original purchase.

This warranty applies to the original purchaser. The original purchaser must contact TOPDEPOT in advance of returning products to receive a return authorization. TOPDEPOT reserves the right to replace or to repair products that it deems defective.

When deemed defective by TOPDEPOT, the sole remedy will be the replacement of the lighting product purchased from TOPDEPOT. This warranty does not apply to products that were installed incorrectly in wet environments, corrosive environments, subjected to lightning strikes, power surges, products that were physically damaged, installed incorrectly or any act of god.

TOPDEPOT warrants only the product it sells. The warranty does not include installation, shipping costs to return the product, or any other losses. Incidental or consequential damages are hereby expressly excluded.