

3 inch 8W COB LED round down light

Order Number: 91220002 (2700K) /91210002(3000K)/91240002(4000K)

1. Feature

- Perfect light quality design, system efficacy > 75lm/w (3000K), can replace halogen or HID lamp.
- Flexible optical design provides changeable beam angle to specific applications.
- Universal power input range of 100 – 240 VAC, allowing consistent installation in any location around the world.
- Modular design for flexible change between different lighting fixture.
- High quality surface treatment with mat white for cover.
- Environmental friendly. RoHs Compliant
- The color temperature follows ANSI C78.337 Standard.

2. Application

- Spot lighting in high end commercial application place, such as hotel, restaurant, showroom, fashion store and museum, etc.
- Spot lighting in residential application place.



3 inch 8W COB LED round down light

Order Number: 91220002 (2700K) /91210002(3000K)/91240002(4000K)

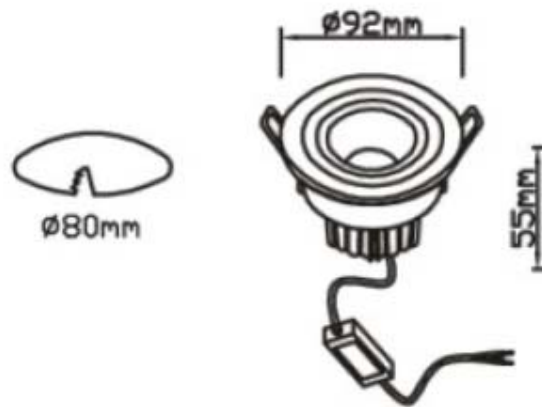
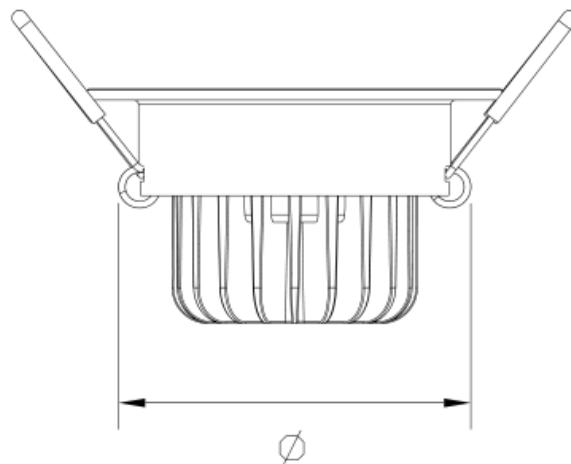
3. Specification

	Item	Specification
Mechanical	Dimension	φ 93mm*H55mm
	Cutting Hole	φ 80mm
	Weight	260g
	Materials and Finishing	1. Die-cast, Aluminum housing 2. Milky white paint cover
Electrical	Input Voltage	AC100~240V, 50/60Hz
	Power Consumption	8W
	PFC	>0.9
	Chip Source	Local Brand COB Chip
Optical	Color Temperature (ANSI C78.337 Standard)	3000K: 3,045K +/- 175K, 4000K: 3,985K +/- 275K
	Luminaries efficacy	3000K: 80lm/w ~ 85lm/w 4000K: 90lm/w ~ 95lm/w
	Color rending	3000K: Ra 80 typ. 4000K: Ra 80 typ.
	Beam angle	45°
	Lumen maintenance	> 92% @6000hrs
	Expected Lifetime	25,000 hrs (Ta=25℃)
Reliability	Operating Temperature	-30~60℃
	Storage Temperature	-30~60℃
Environment	Operating	Indoor use only
	IP rating	IP20
	Restricted Materials	RoHs compliant
Certification	Safety & EMC	CE approved driver

Rev0.1

3 inch 8W COB LED round down light

Order Number: 91220002 (2700K) /91210002(3000K)/91240002(4000K)

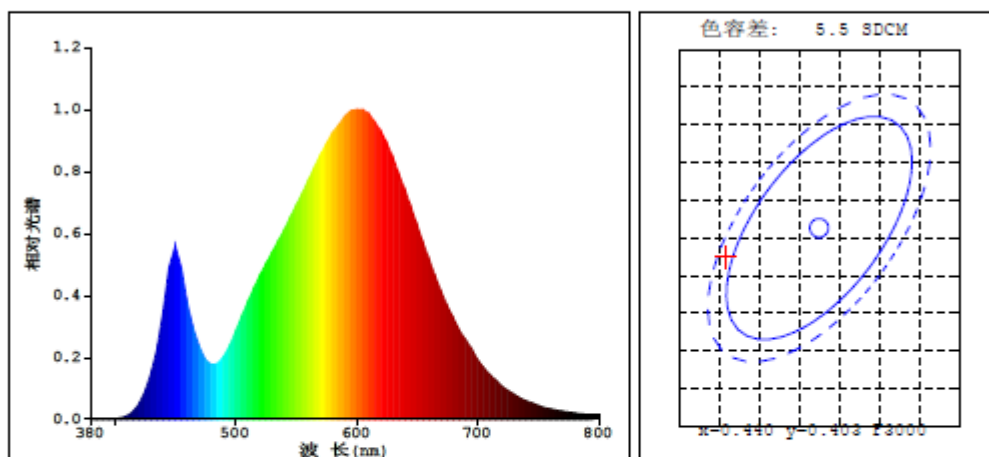
4. Mechanical Drawing**5. Cutting hole.** $\phi 80\text{mm}$ 

3 inch 8W COB LED round down light

Order Number: 91220002 (2700K) /91210002(3000K)/91240002(4000K)

6.Photometric data

电光源测试报告



颜色参数:

色品坐标: $x=0.4299$ $y=0.3999$
 色品坐标: $u'=0.2478$ $v'=0.5187$ ($duv=-6.75e-04$)
 相关色温: $T_c=3088K$ 主波长: $\lambda_d=582.7nm$ 色纯度: $Pur=49.1\%$ 质心波长: $589.0nm$
 色比: $R=23.6\%$ $G=74.3\%$ $B=2.1\%$ 峰值波长: $\lambda_p=600.0nm$ 半宽度: $\Delta\lambda_p=136.6nm$
 显色指数: $R_a=80.1$
 R1 =78 R2 =87 R3 =95 R4 =77 R5 =77 R6 =82 R7 =84
 R8 =60 R9 =6 R10=70 R11=74 R12=63 R13=80 R14=97 R15=72

光度参数:

光通量: 600.59 lm 辐射通量: 1.8545 W 光效: 75.07 lm/W

电参数:

灯具电参数: $U=219.5V$ $I=0.04100A$ $P=8.000W$ $PF=0.8830$

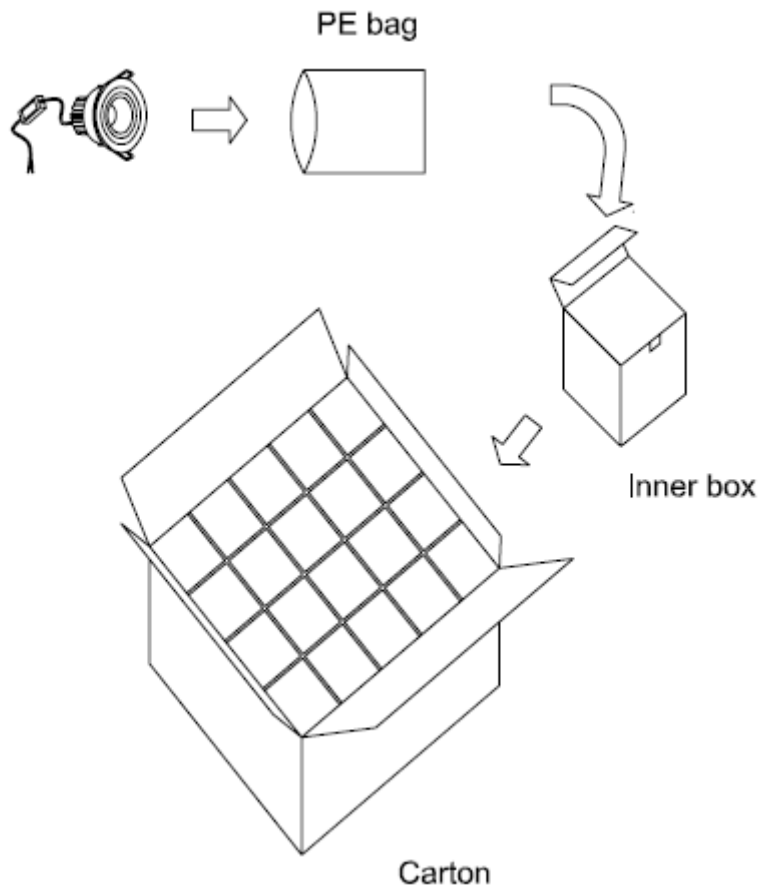
Rev0.1

3 inch 8W COB LED round down light

Order Number: 91220002 (2700K) /91210002(3000K)/91240002(4000K)

7. Packing information.

Internal packing Qty (pcs)	Whole Carton packing Qty (pcs)	Dimension of internal box L*W*H(mm)	Dimension of Carton L*W*H(mm)	Weight of internal packing (kg)	Weight of Carton packing(kg)
1pcs	60pcs	125*98*73	640*407*235	0.24KG	16KG



3 inch 8W COB LED round down light

Order Number: 91220002 (2700K) /91210002(3000K)/91240002(4000K)

8.Warranty terms.

TOPDEPOT warrants all of the LED lighting products it sells, to be free from defects in design, materials and workmanship for a period of 2 years from the date of the original purchase.

This warranty applies to the original purchaser. The original purchaser must contact TOPDEPOT in advance of returning products to receive a return authorization. TOPDEPOT reserves the right to replace or to repair products that it deems defective.

When deemed defective by TOPDEPOT, the sole remedy will be the replacement of the lighting product purchased from TOPDEPOT. This warranty does not apply to products that were installed incorrectly in wet environments, corrosive environments, subjected to lightning strikes, power surges, products that were physically damaged, installed incorrectly or any act of god.

TOPDEPOT warrants only the product it sells. The warranty does not include installation, shipping costs to return the product, or any other losses. Incidental or consequential damages are hereby expressly excluded.