

3 inches 16W COB LED round down light

Order Number:92220001(3000K)/92240001(4000K)/92250001(5000K)

1. Feature

- Perfect light quality design, system efficacy > 70lm/W (3000K), can replace halogen or HID lamp.
- Very even light output, no-glare design.
- Universal power input range of 100 – 240 VAC, allowing consistent installation in any location around the world.
- Very nice mechanical design, high quality spinning light body.
- High quality surface treatment with mat white for cover.
- Environmental friendly. RoHs Compliant
- The color temperature follows ANSI C78.337 Standard.

2. Application

- The commercial application place where need high lux level but soft can clear light quality, such as big shopping mall, hospital, office, factory, school, airport, etc.
- High quality lighting in residential application place.



3 inches 16W COB LED round down light

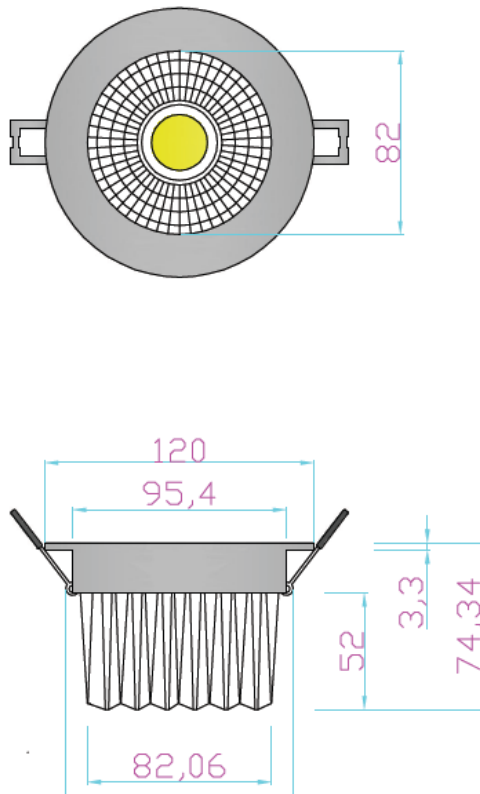
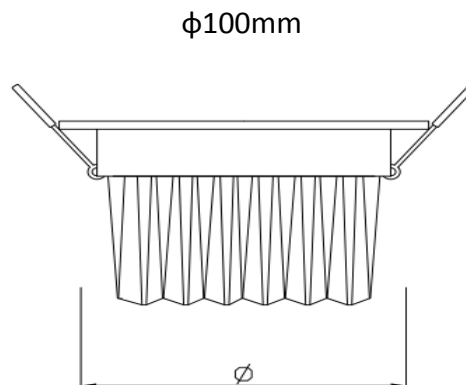
Order Number:92220001(3000K)/92240001(4000K)/92250001(5000K)

3. Specification

	Item	Specification
Mechanical	Dimension	φ 120mm*H75mm
	Cutting Hole	φ 100mm
	Weight	580g
	Materials and Finishing	1. Casting Aluminum housing 2. Milky white paint cover
Electrical	Input Voltage	AC100~240V, 50/60Hz
	Power Consumption	16W
	PFC	>0.95
	Chip Source	COB
Optical	Color Temperature (ANSI C78.337 Standard)	3000K: 3,045K +/- 175K,
		4000K: 3,985K +/- 275K
		5000K: 5,000K +/- 355K
	Luminaries efficacy	3000K: 80lm/w ~ 85lm/w
		4000K/5000K: 90lm/w ~ 95lm/w
	Color rending	3000K: Ra 80 typ.
		4000K/5000K: Ra 80 typ.
Beam angle	60°	
Lumen maintenance	> 92% @6000hrs	
Expected Lifetime	25,000 hrs (Ta=25°C)	
Reliability	Operating Temperature	-20-50°C
	Storage Temperature	-20-50°C
Environment	Operating	Indoor use only
	IP rating	IP20
	Restricted Materials	RoHs compliant
Certification	Safety & EMC	CE approved driver

3 inches 16W COB LED round down light

Order Number:92220001(3000K)/92240001(4000K)/92250001(5000K)

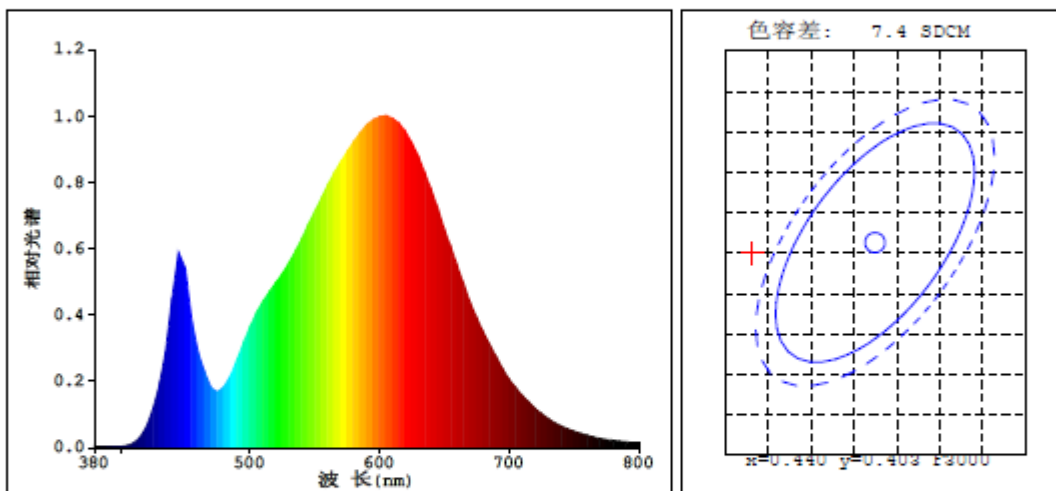
4. Mechanical Drawing**5. Cutting hole.**

3 inches 16W COB LED round down light

Order Number:92220001(3000K)/92240001(4000K)/92250001(5000K)

6.Testing Report

电光源测试报告



颜色参数:

色品坐标: $x=0.4277$ $y=0.4020$

色品坐标: $u'=0.2455$ $v'=0.5192$ ($duv=5.36e-04$)

相关色温: $T_c=3145K$ 主波长: $\lambda_d=582.0nm$ 色纯度: $Pur=49.0\%$ 质心波长: $589.0nm$

色比: $R=23.5\%$ $G=74.3\%$ $B=2.2\%$ 峰值波长: $\lambda_p=605.0nm$ 半宽度: $\Delta\lambda_p=143.6nm$

显色指数: $R_a=82.3$

$R1 =80$ $R2 =88$ $R3 =95$ $R4 =81$ $R5 =80$ $R6 =84$ $R7 =86$

$R8 =64$ $R9 =15$ $R10=73$ $R11=79$ $R12=68$ $R13=82$ $R14=97$ $R15=75$

光度参数:

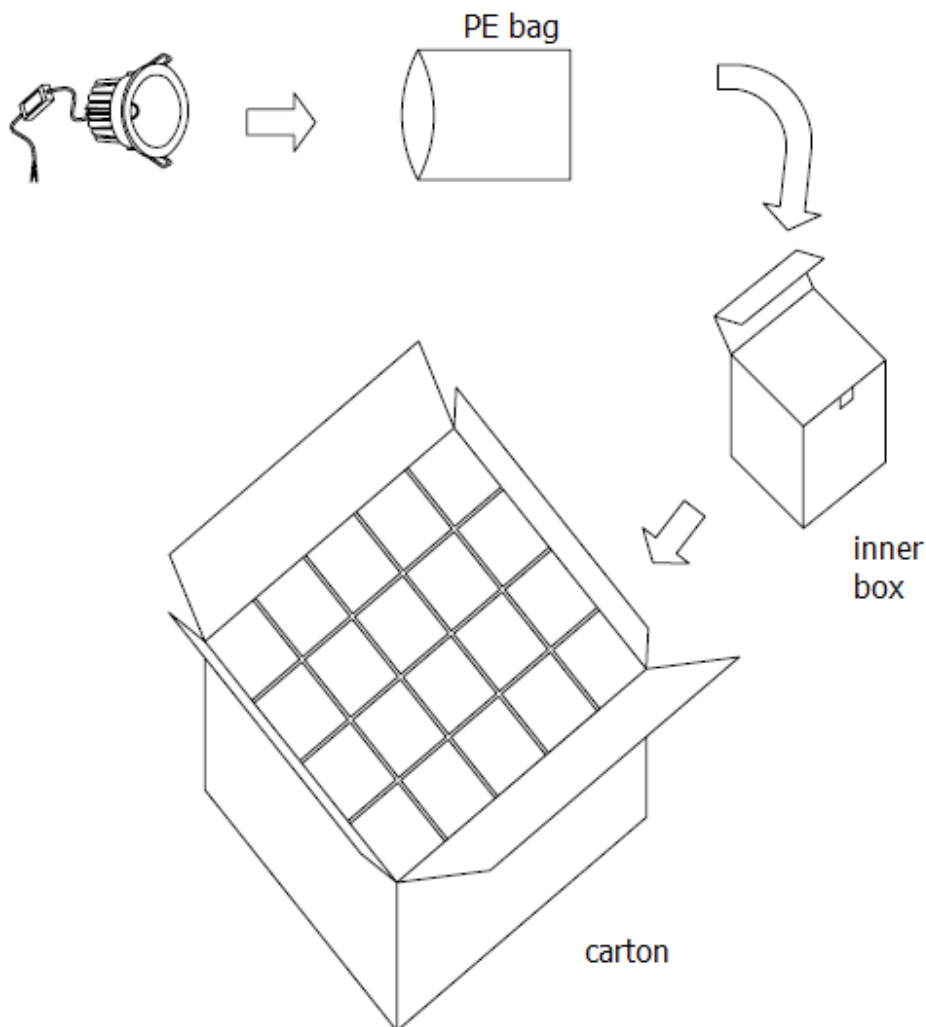
光通量: $1219.6 lm$ 辐射通量: $3.8126 W$ 光效: $70.09 lm/W$

3 inches 16W COB LED round down light

Order Number:92220001(3000K)/92240001(4000K)/92250001(5000K)

7.Packaging Information.

Internal packing Qty (pcs)	Whole Carton packing Qty (pcs)	Dimension of internal box L*W*H(mm)	Dimension of Carton L*W*H(mm)	Weight of internal packing (kg)	Weight of Carton packing(kg)
1pcs	40pcs	122*122*105	625*505*435	0.47KG	20.3KG



3 inchs 16W COB LED round down light

Order Number:92220001(3000K)/92240001(4000K)/92250001(5000K)

8.Warranty term.

TOPDEPOT warrants all of the LED lighting products it sells, to be free from defects in design, materials and workmanship for a period of 2 years from the date of the original purchase.

This warranty applies to the original purchaser. The original purchaser must contact TOPDEPOT in advance of returning products to receive a return authorization. TOPDEPOT reserves the right to replace or to repair products that it deems defective.

When deemed defective by TOPDEPOT, the sole remedy will be the replacement of the lighting product purchased from TOPDEPOT. This warranty does not apply to products that were installed incorrectly in wet environments, corrosive environments, subjected to lightning strikes, power surges, products that were physically damaged, installed incorrectly or any act of god.

TOPDEPOT warrants only the product it sells. The warranty does not include installation, shipping costs to return the product, or any other losses. Incidental or consequential damages are hereby expressly excluded.