

LED High Bay

Series Number: HB140

1. Product Feature

- Perfect light quality design, High system efficiency: typical 100lm/w for cool white(5700K), 90lm/w for warm(3000K) & neutral white(4000K), can replace traditional mercury lamp and halogen lamp well.
- Perfect non glare design, very good UGR<13 performance.
- Universal power input range of AC90-277V, allowing consistent installation in any location around the world.
- Unique light distribution design, support four light distribution angles as 30°, 60° can be used in wide range of application, such as warehouse, factory, etc...
- IP65 waterproof rate for light engine and IP67 for driver individually.
- 4KV surge protection.
- Shock resistance to IK08

2. Application

- Warehouse lighting
- Factory lighting
- Supermarket lighting
- Gymnasium lighting
- Other general indoor lighting application



LED High Bay
Series Number: HB140

3. Specification

Item	Specification
Power Consumption(Typ)	130.4+/- 17.6W
Beam angle	30°, 60°
Color Temperature (ANSI C78.337 Standard)	3000K: 3,045K +/- 175K, 4000K: 3,985K +/- 275K 5700K: 5,665K +/- 375K
Color rending	3000K/4000K/5700K: Ra 80 typ
System Luminaries efficacy(Typ)	3000K/4000K: 90lm/w 5700K: 100lm/w
Input Voltage	AC90~277V, 50/60Hz
Working Temperature	-40°C ~ 50°C
Storage Temperature	-40°C ~ 80°C
Protection Grade	IP65 waterproof rate for light engine and IP67 for driver individually
PFC	>=95%
Surge Protect	4KV
Shock resistance (IK code)	IK08
Expected Lifetime	> 50,000 hrs (L70/Ta=25°C)
Dimension	400mm(D) X 472mm(H)
Weight	7.2Kg
Luminaire Color	White/Silver
Restricted Materials	RoHs compliant
IEC electric shock protection level	Class I
Safety & EMC	Compliant with IEC standard (UL,PSE,CE)

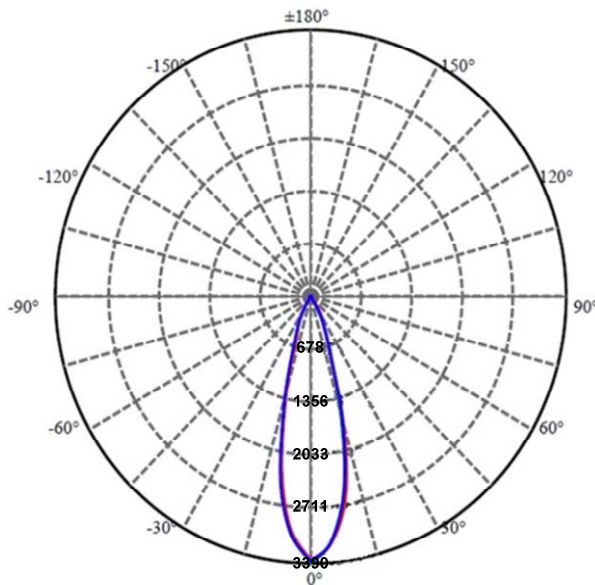
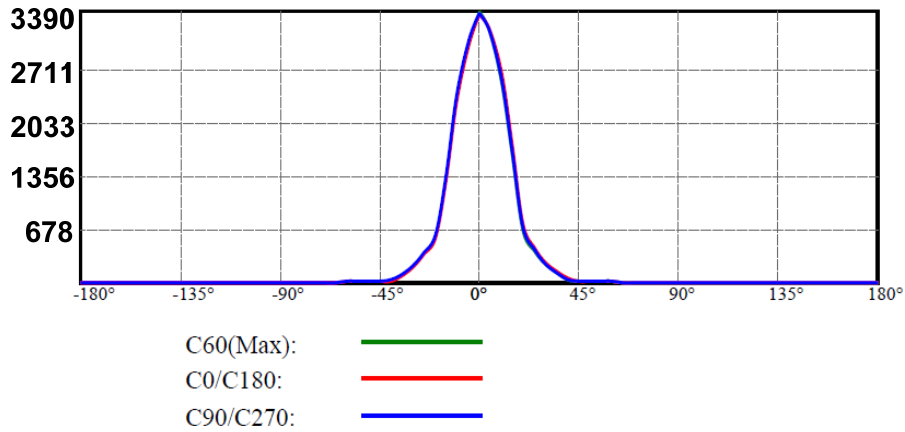


LED High Bay

Series Number: HB140

4. Optics Design

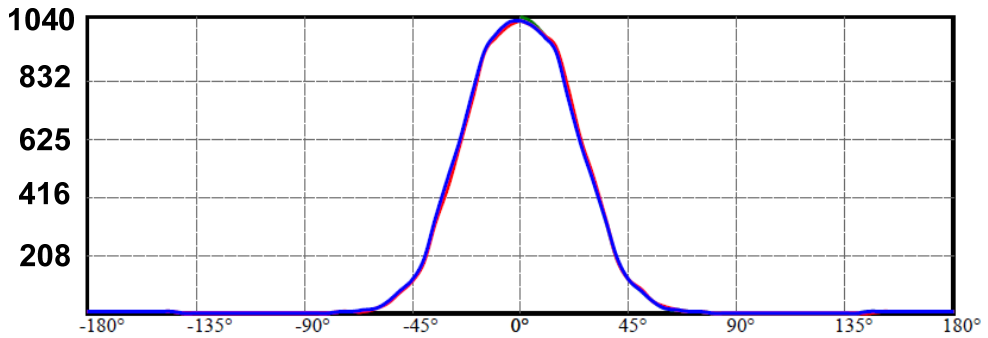
(A). 30° (FWHM)



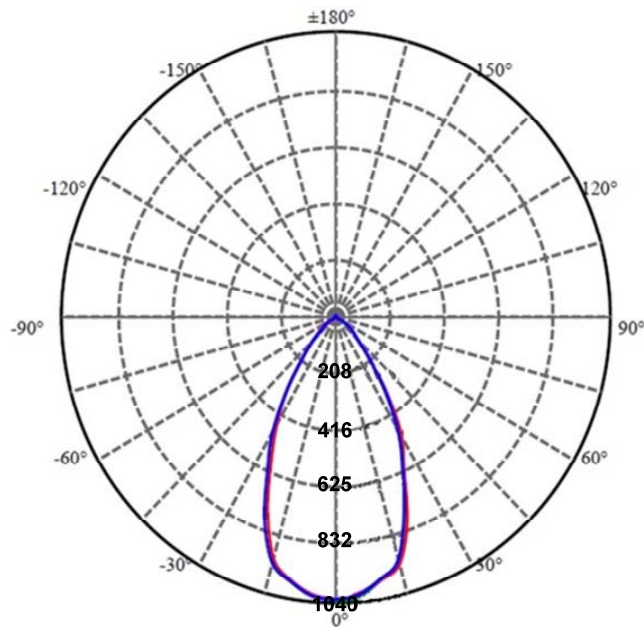
LED High Bay

Series Number: HB140

(B). 60° (FWHM)



C30(Max): —
 C0/C180: —
 C90/C270: —



ShenZhen Topdepot Optoelectronic Technology Co.,Ltd

Tel : +86-755-23242466 Fax : +86-755-22641901

Rev0.1: 2015/09/10

Web : www.top-depot.com E-mail : tony.zhao@top-depot.com

Address : 5th Floor, Building C, Huaerte industry Park, Baihuadong, Guangming new district, ShenZhen, PRC

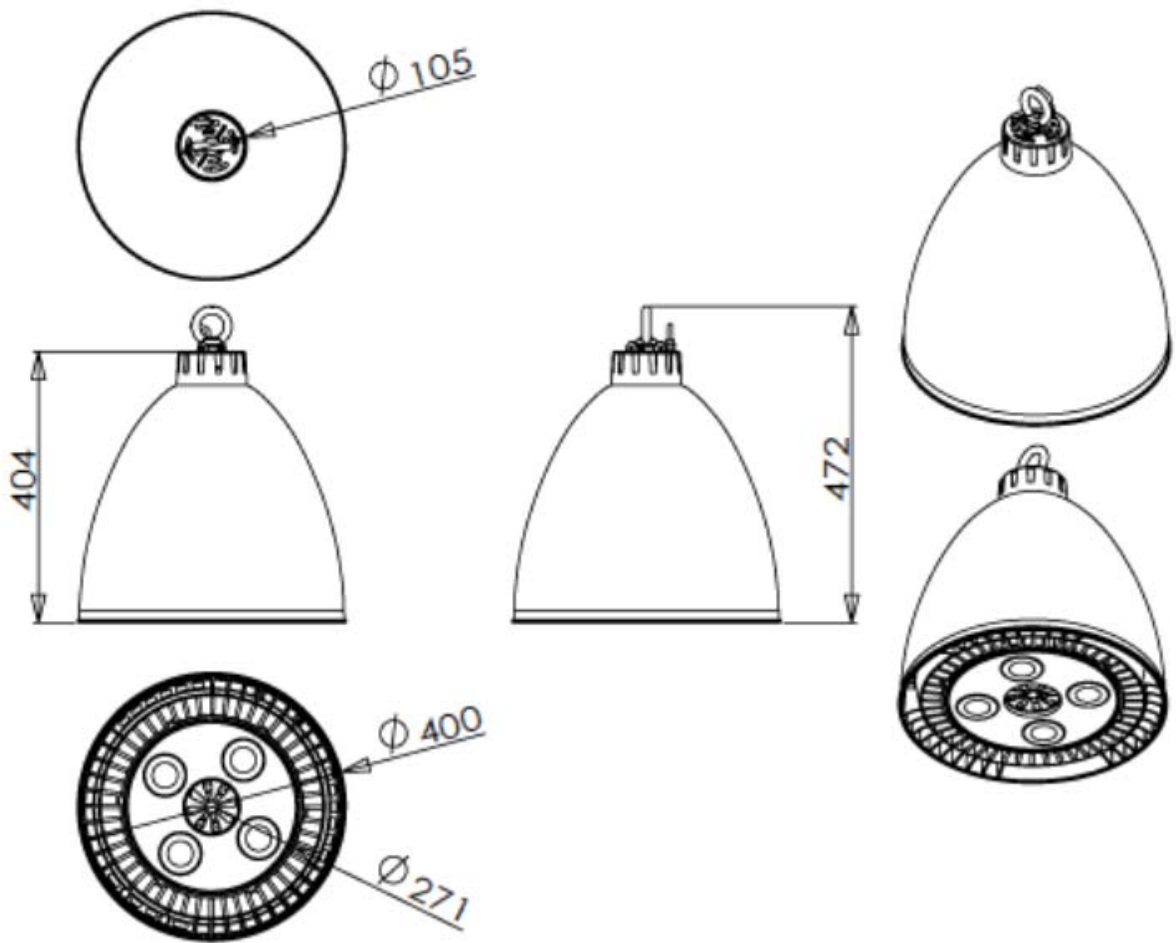
Copyright © 2013 ShenZhen Topdepot Optoelectronic Technology Co.,Ltd, All right reserved.



LED High Bay

Series Number: HB140

5. Mechanical Drawing



LED High Bay

Series Number: HB140

6. Installation Options



LED High Bay

Series Number: HB140

7. Warranty Term

TOPDEPOT provides 3 years limited warranty for the LED lighting products it sells, to be free from defects in design, materials and workmanship from the date of the original purchase.

This warranty applies to the original purchaser. The original purchaser must contact TOPDEPOT in advance of returning products to receive a return authorization. TOPDEPOT reserves the right to replace or to repair products that it deems defective.

When deemed defective by TOPDEPOT, the sole remedy will be the replacement of the lighting product purchased from TOPDEPOT. This warranty does not apply to products that were installed incorrectly in wet environments, corrosive environments, subjected to lightning strikes, products that were physically damaged, installed incorrectly or any act of god.

TOPDEPOT warrants only the product it sells. The warranty does not include installation, shipping costs to return the product, or any other losses. Incidental or consequential damages are hereby expressly excluded.

